



GlowLine Flex Side

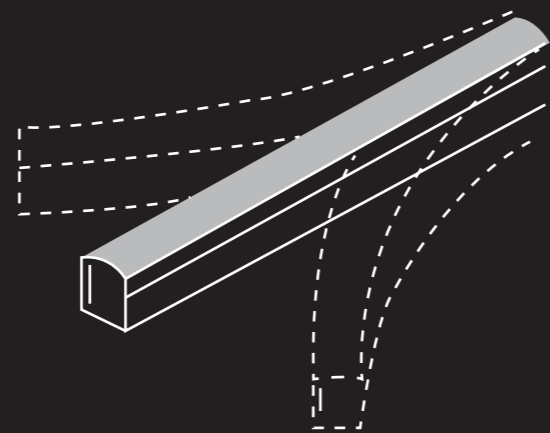
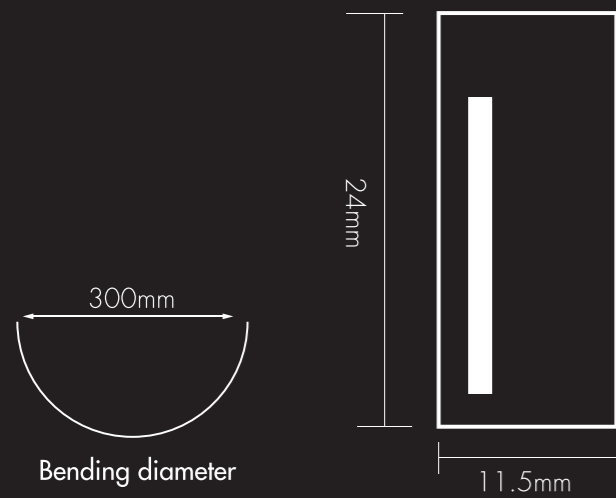
DN116003



Warranty
2 Year Warranty

Control
Standard DMX512 control protocol (Max 44 frames / second).
The communication between fittings can be synchronised perfectly under use of Titan Artnet Controller.

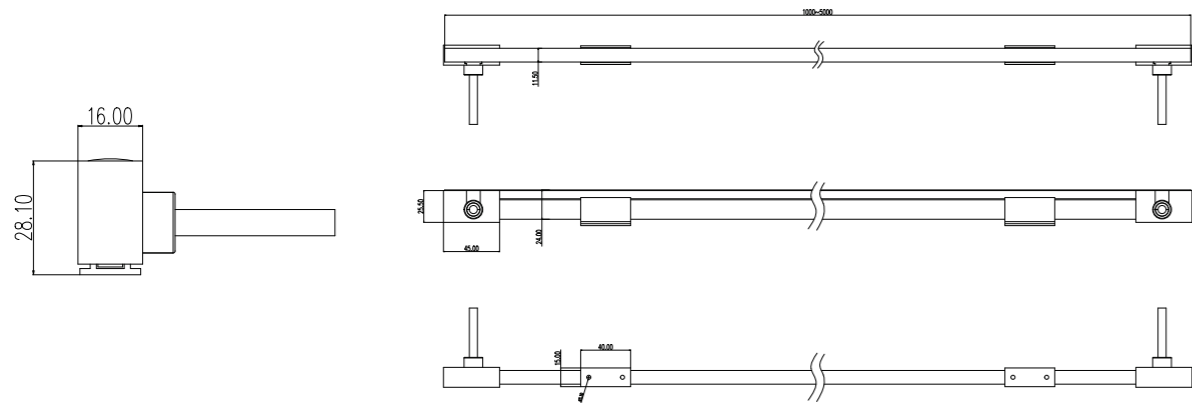
Protection
Lightning and ESD Protection
Electrical Protections: short circuit, over current, over voltage and over temperature.



(HB) Horizontal bending



Dimension



Colors	DN116001	DN116003	DN116004
 2700K 3000K 4000K 5700K 6500K	 RGB	 RGBW 4 in 1	

LED

LED Source	Epistar 5050	Epistar RGB 5050	Epistar RGBW 5050
LED QTY	60pcs		
Beam Angle	120°		

Electrical

Input voltage	24VDC		
power consumption	12W per meter	12W per meter	18W per meter

Control

Protocol	DMX512
Pixels	10 pixels per meter
Addressing options	Manual addressing

Physical

Housing Material	Silicone	Mounting Options	Surface mount
Finish	White	Luminaire Connection	4PIN cable with screw lock connector for DC and DMX
lense	Opal		

Environment

Operating Temperature	-30° to 60°	Humidity	0-95%,non-condensing
Startup Temperature	-30° to 60°	IP	Outdoor IP66
Storage Temperature	-40° to 80°		

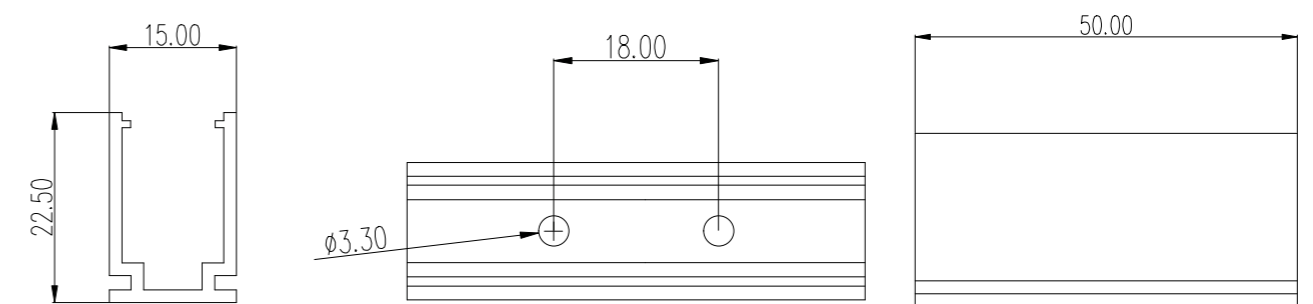
Certificate



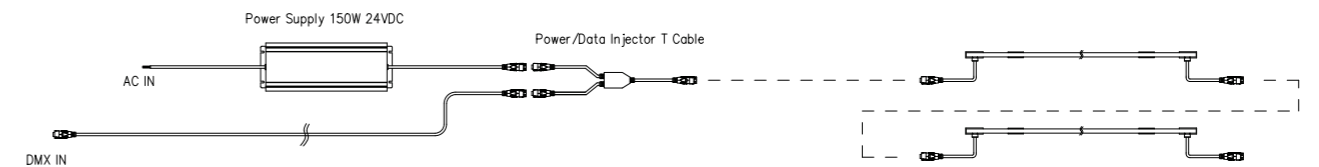
Ordering Information

Product	Width	LED QTY	LED Color
DN	11	60	03
DMX Neon	11mm Wide	60LEDs per meter	01 White 03 RGB 04 RGBW

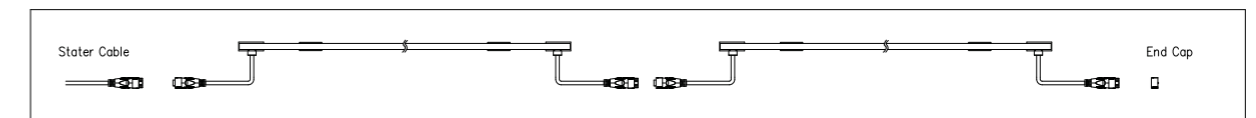
Accessories



Wiring diagram



Luminaire Interconnection



Maximum Run Lengths

	60LEDs 12W Per meter(RGB)	60LEDs 18W Per meter(RGBW)
24VDC	up to 15meter	up to 10meter